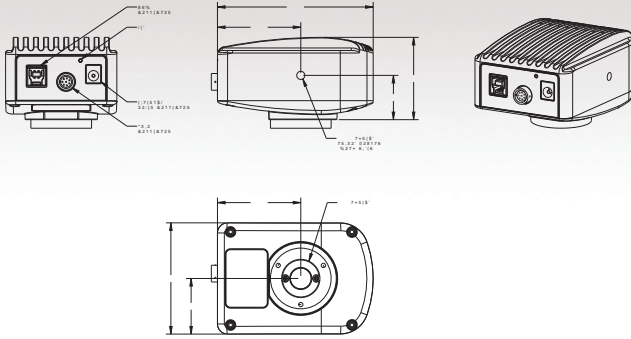
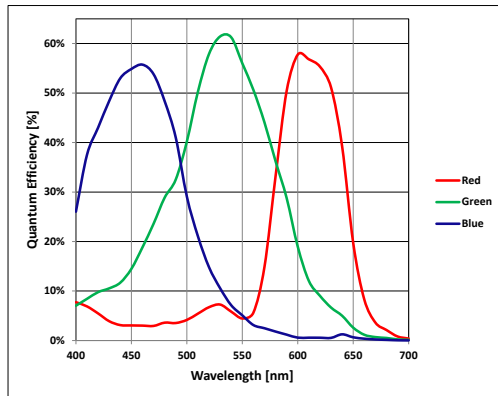


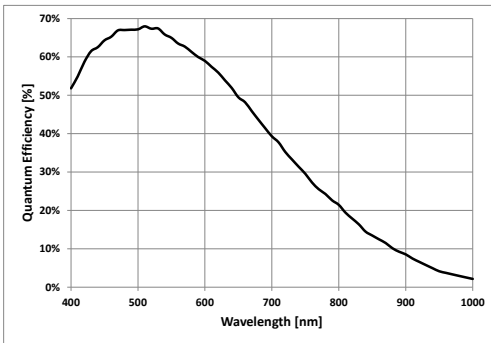
Mechanical Drawing



Color Quantum Efficiency Curves

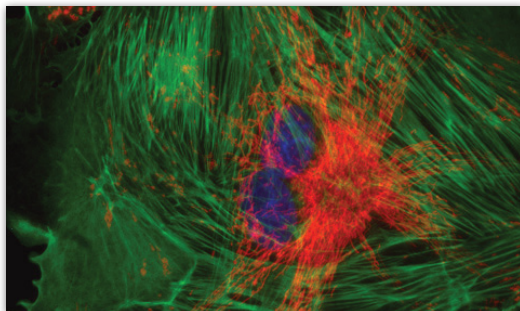


Monochrome Quantum Efficiency Curve



Sample Images

For sample images please visit our online gallery at: www.lumenera.com/microscopyimages/



Sensor Specifications	
Image Sensor	SONY ICX674, CCD, color or monochrome
Optical Format	2/3"
Imager Size	Diagonal 10.972 mm
Pixel Size	4.54 x 4.54 μm
Resolution	1936 x 1456 pixels
Region of Interest Control	Any multiple of 16 x 16 pixels (quad tap mode)
Camera Specifications	
Frame Rate	53 fps (1936 x 1456), 60 fps (1920 x 1080), 109 fps (640 x 480)
Bit Depth	8 or 14-bit
Binning Modes	2 x 2, 4 x 4, 8 x 8 (3 x 3 mono only)
Exposure Control	Manual and automatic control
Exposure Range	3 μs to 71 min (snapshot) 23 μs to 1.3 s (video)
Gain Control	Manual and automatic control
Gain Range	0.8 to 58x (color), 0.8 to 33x (mono)
White Balance	Manual and automatic control
Trigger Modes	Hardware and software triggerable
Camera Characteristics	
Peak Sensitivity	Color: 4.2 DN/(nJ/cm ²), Mono: 7.3 DN/(nJ/cm ²) (Global and channel gains at unity)
Dynamic Range	68.8 dB (Color), 65.3 dB (Mono)
Full Well Depth	~17,000 e ⁻ (Color), ~11,400 e ⁻ (Mono)
Quantum Efficiency	61% (Color), 68 % (Mono)
Read Noise	6.2 e ⁻ (4 taps, 16 fps, 25 °C ambient)
Dark Current Noise	<1 e ⁻ /s (at 22 °C ambient)
Mechanical Specifications	
Data Interface	USB 3.0 (USB 2.0 support for lower frame rates)
General Purpose I/O	Locking Hirose MXR-8R-8SA(71)
Lens Mount	Adjustable C-mount standard
Dimensions	97.8 x 69.8 x 50.8 mm 3.85 x 2.75 x 2.00 inch
Mass	340 g
Operating Temperature	0 to 50 °C
Storage Temperature	-30 to 70 °C
Operating Humidity	5 to 95 %, non-condensing
Onboard Memory	Camera has onboard non-volatile memory storage
Camera Software	
Operating Systems	Windows 10, 8, 7, Vista, Mac OS X 10.7 32 and 64-bit
Power and Emissions	
Power Consumption	6 W max in full frame rate mode
Power Requirement	External 5 V DC, 1.2 A, power supply (included)
Emissions Compliances	FCC Class B, CE Certified
Hazardous Materials	RoHS, WEEE Compliant
Warranty	Five (5) years
Included In The Box	
INFINITY3-3UR	2.8 MP Digital Camera and USB 3.0 cable
LuINFSW-DVD	DVD with INFINITY ANALYZE and CAPTURE software, TWAIN driver and documentation
Ordering Information	
INFINITY3-3URFC	2.8 MP Uncooled CCD Color USB 3.0 Camera
INFINITY3-3URFM	2.8 MP Uncooled CCD Monochrome USB 3.0 Camera
La050315	5 V DC, 3.0 A, 15 W Power Supply
LuSDKSW	Software Developer's Kit (Web Download)
La2000PAFL	GPI/O Breakout Cable

Recommended Applications

Brightfield; Darkfield; Live Cell Imaging; Histology; Pathology; Cytology; Gel Documentation; Whole Slide Imaging; Low Light Fluorescence; Quantitative Analysis.



/DXPDQ /DQH 6XLWH\$ +LFNVYL
7HO _)D[
(PDLO ,QIR#Q\VRSHV FRP
ZZZ PLFURVFRSHLQWHUQDWLRQDO