

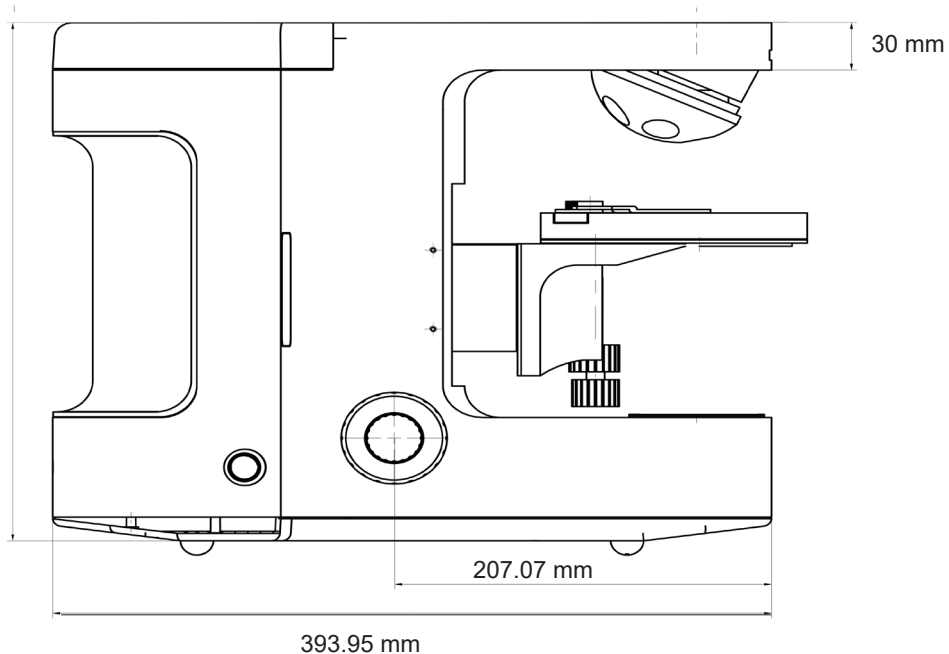
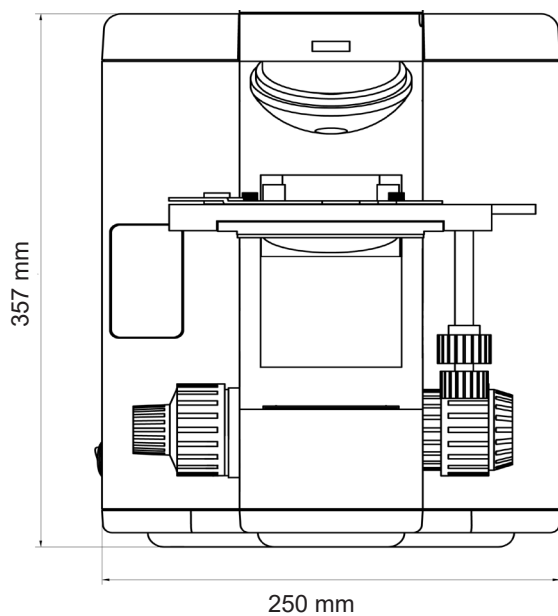


Model:
B-1000 microscope body

Description:
Main body with focus system, for metallurgical model with incident light only

Focus	<p>Coaxial coarse and fine focusing mechanism (graduated, 0.002 mm) with upper stop, to prevent the contact between objective and specimen. Adjustable tension of coarse focusing knob.</p> <p>M-1022M model: manual focus knobs. Right fine focus knob "flat type" (for use with fingertip).</p> <p>Motorized focus (optional accessories M-1156 + M-1149). Controlled by software or external controller. Movement resolution: 0.125 μm Right fine focus knob "flat type" (for use with fingertip), for manual focusing.</p>
Stage	Adjustable height of stage support for metallographic samples up to 43 mm.
Dimensions	

M-1022M (Specific for MET models)



Óptika S.p.A.



100 Lauman Lane, Suite A, Hicksville, NY 11801
Tel: (877) 877-7274 | Fax: (516) 801-2046
Email: Info@nyscopes.com
www.microscopeinternational.com